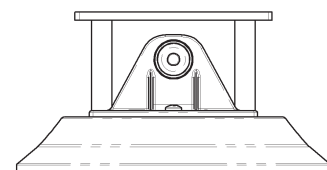
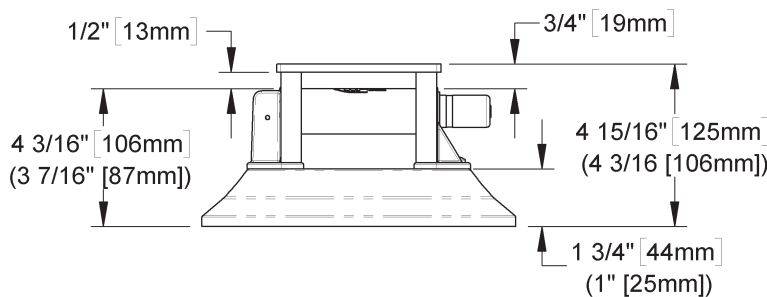
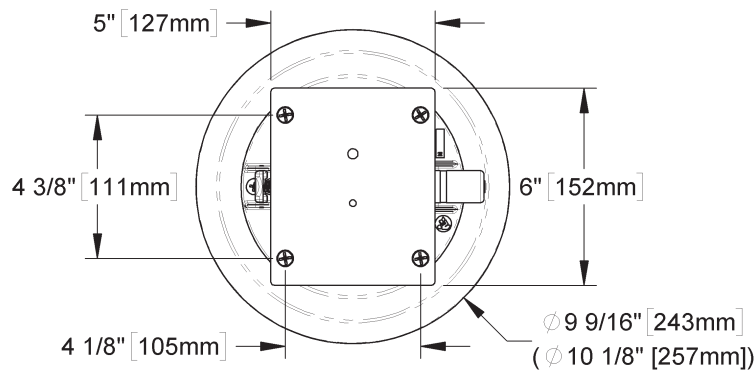
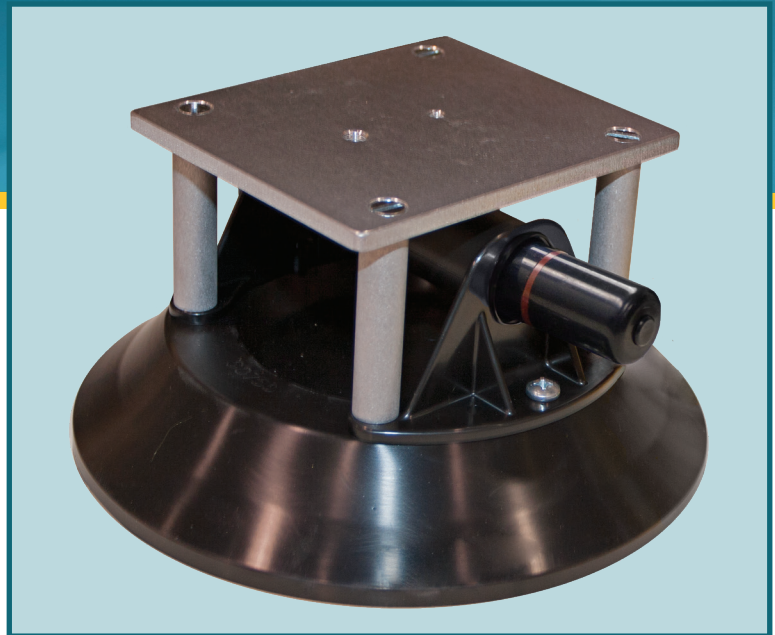


10" HAND CUP WITH MOUNTING PLATE

MODEL: N6000P
 STOCK: 91764

This hand cup provides a reliable, temporary mounting point for equipment, without marking or damaging most surfaces. Not for use with thin or fragile materials.



(information in parentheses indicates dimensions when attached)

Maximum Load Capacity	175 lbs [79 kg] (see www.wpg.com/mccc for more information)
Features & Benefits	Also attaches to flat surfaces (but requires more pumping) Eliminates the need for drilling holes when mounting equipment Red-line indicator warns user of any significant vacuum loss High capacity
Connection Point	1/4-20 and 3/8-16 threaded holes
Ideal Uses	Mounting equipment on smooth, nonporous surfaces
Surface Curvature	Curved
Minimum Radius for Curved Loads	13" [330 mm]
Minimum Material Thickness	1/4" [6.35 mm]
Maximum Elevation	5,000 ft [1,524 m]
Material and Ambient Temperature Range	10° F [-12° C] – 120° F [49° C]
Nominal Pad Diameter	10" [25 cm]
Pad Model	G0750
Rubber Type	Standard
Based on product information at time of publication. Environmental conditions can affect product performance and longevity; consult the product instructions on WPG.com or contact a Technical Sales Representative for more information.	

